



# Parts Manual

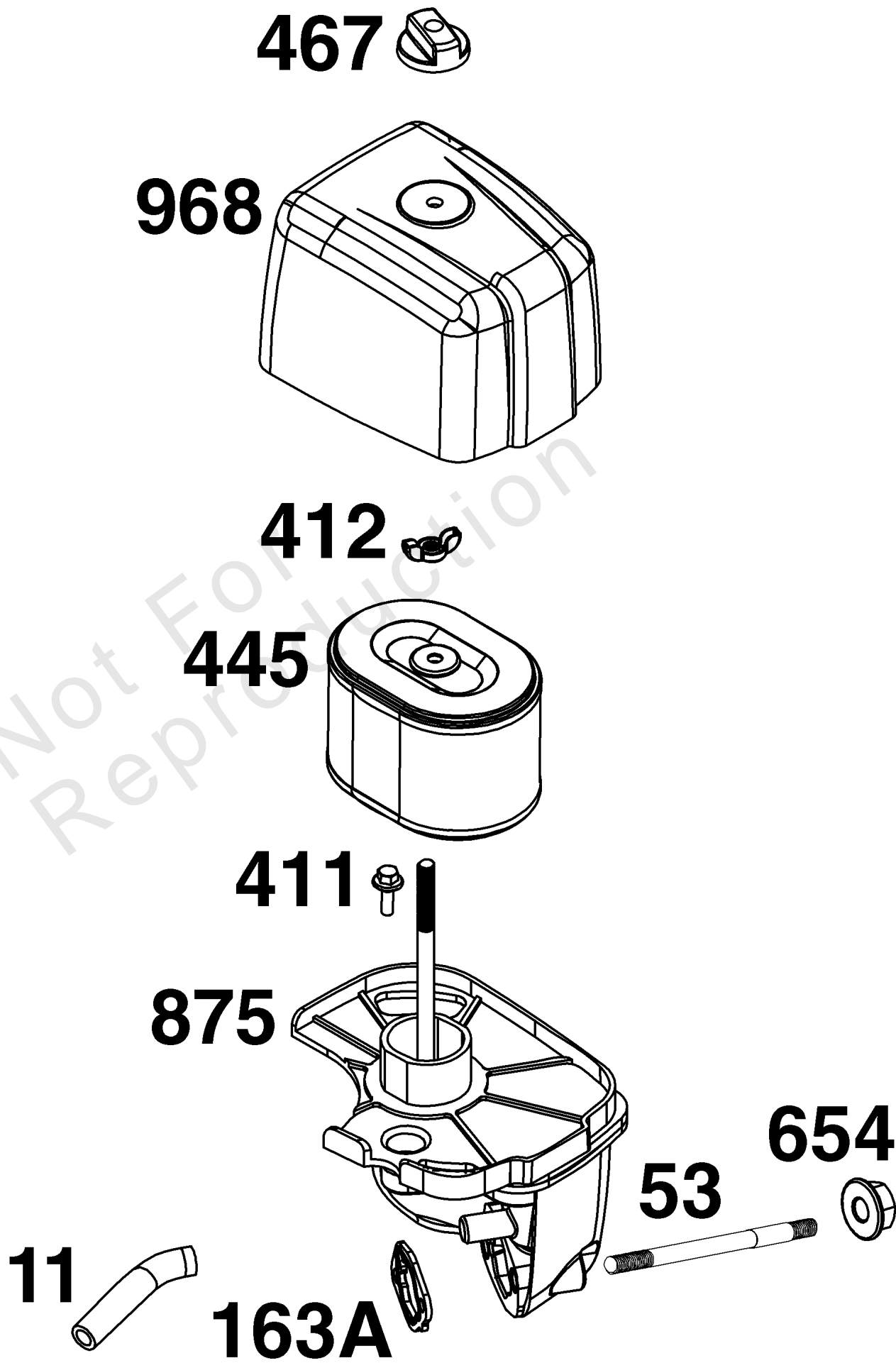
Mfg. No: 13U232-0031-J1



---

<b>Model Components</b>	<b>Page</b>
Air Cleaner Group.....	4
Blower Housing Group.....	6
Carburetor Group.....	8
Controls Group.....	10
Crankcase Cover/Sump Group.....	12
Crankshaft Group.....	14
Cylinder Group.....	16
Cylinder Head Group.....	18
Exhaust Group.....	20
Flywheel, Ignition, and Starter Group.....	22
Fuel Supply Group.....	24
Lubrication Group.....	26

Not For  
Reproduction



## Air Cleaner Group

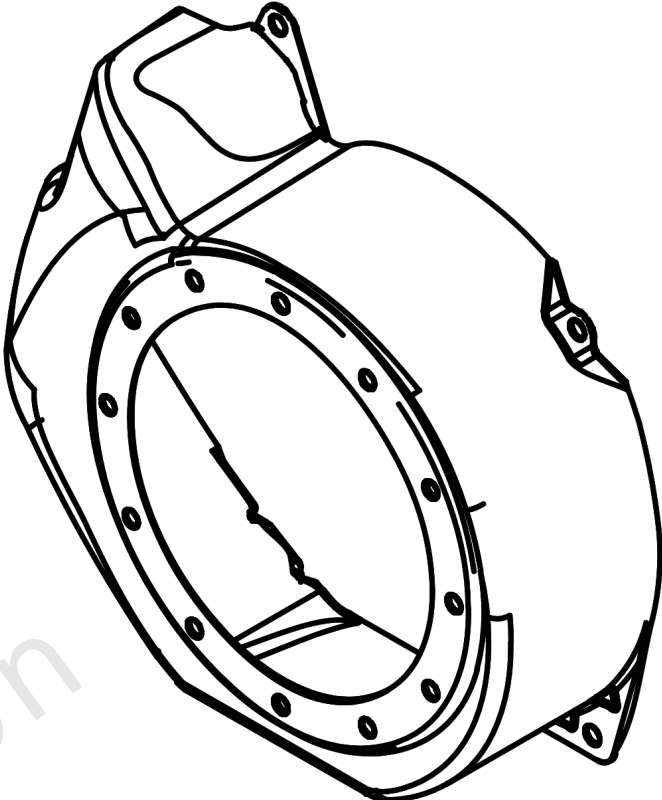
REF NO	PART NO	QTY	DESCRIPTION
11	797262	1	TUBE, Breather
53	-----	2	STUD -(Part information located in Carburetor Group.)
163A	-----	1	GASKET, Air Cleaner -(Part information located in Carburetor Group.)
411	797686	1	SCREW -(Air Cleaner Base to Air Cleaner Bracket)
412	799830	1	NUT -(Air Cleaner Cover)
445	594146	1	FILTER, A/C Cartridge
467	691985	1	KNOB, Air Cleaner Cover
654	-----	2	NUT -(Part information located in Carburetor Group.)
875	596293	1	BASE, Air Cleaner
968	596292	1	COVER, Air Cleaner

Not For Reproduction

**1036** 

**1319B** 

**304**



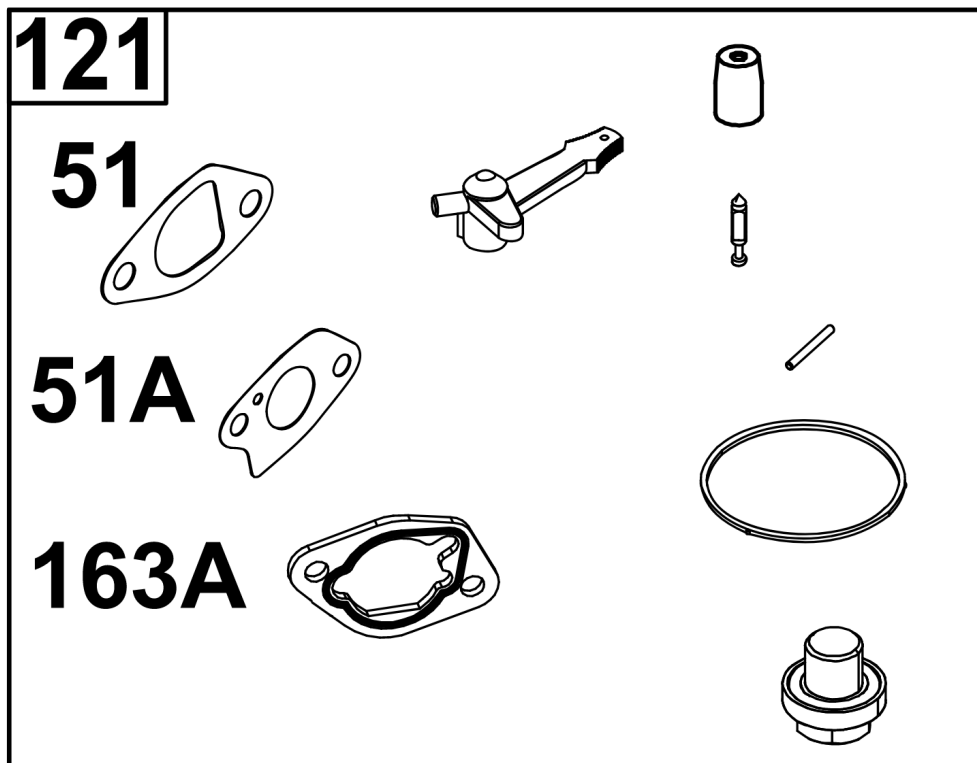
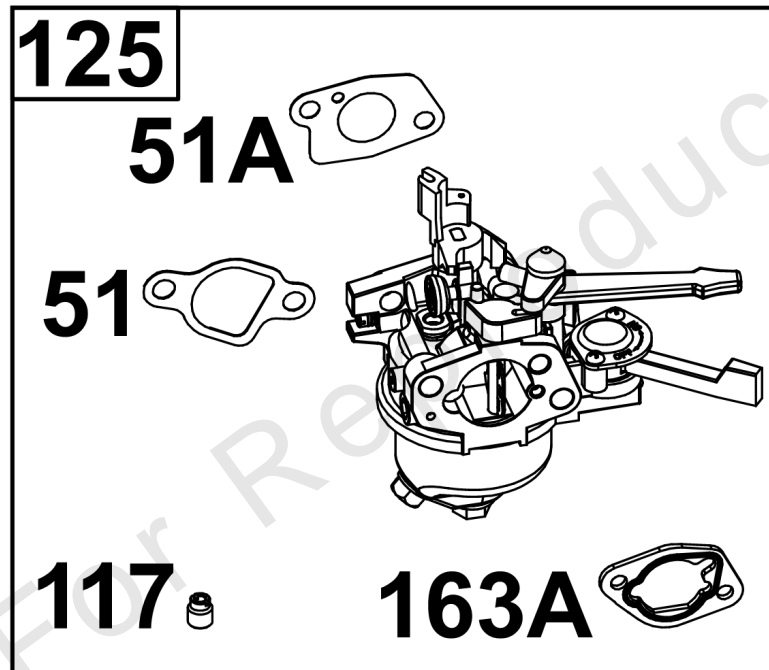
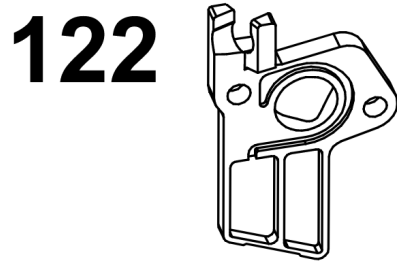
**305** 

Not For  
Reproduction

## ***Blower Housing Group***

<b>REF NO</b>	<b>PART NO</b>	<b>QTY</b>	<b>DESCRIPTION</b>
304	596296	1	HOUSING, Blower
305	798618	4	SCREW
1036	-----	1	LABEL, Emissions -(Available From A Briggs & Stratton Authorized Service Dealer)
1319B	707872	1	DECAL-WARNING

Not For Reproduction

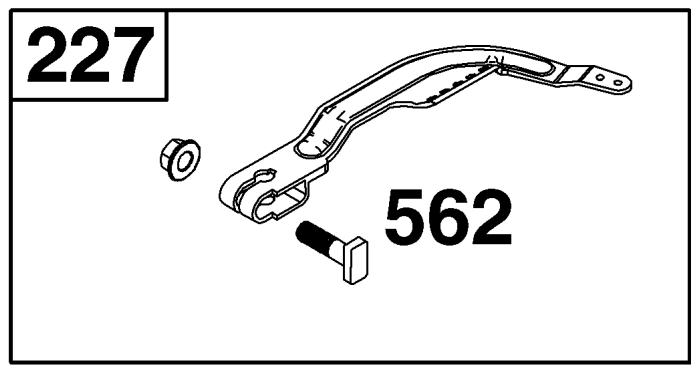
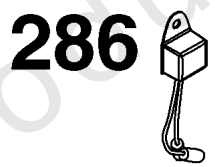
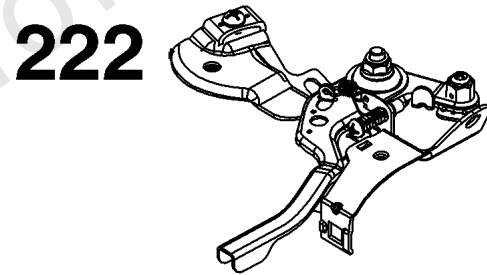
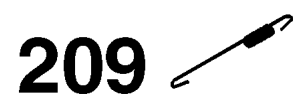
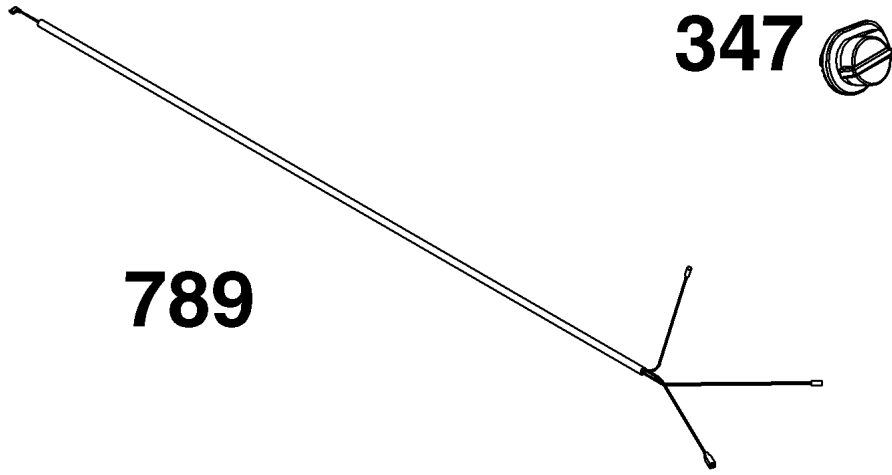




## Carburetor Group

REF NO	PART NO	QTY	DESCRIPTION
51	595682	1	GASKET, Intake -(Part information located in Cylinder Head Group.)
51A	797280	1	GASKET, Intake -(Part information located in Cylinder Head Group.)
53	797278	2	STUD -(Carburetor)
117	595842	1	JET, Main -(Standard)
118	595843	1	JET, Main -(High Altitude)
121	594133	1	KIT, Carburetor Overhaul -(Service Kits can include parts not for this engine.)
122	595722	1	SPACER, Carburetor
125	84006543	1	CARBURETOR
163A	797282	1	GASKET, Air Cleaner
654	690939	2	NUT -(Carburetor)

Not For Reproduction

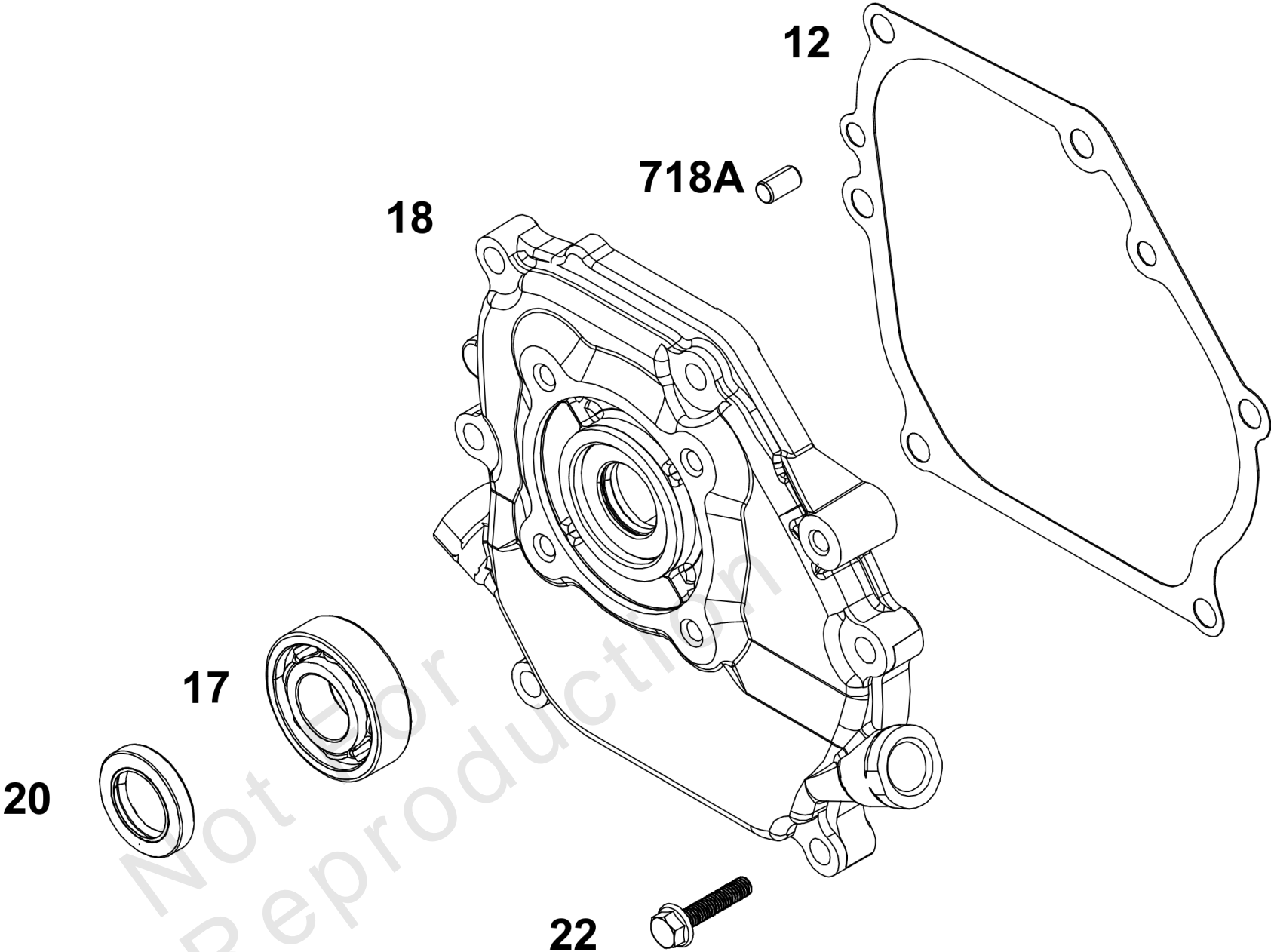


Not For  
Reproduction

## Controls Group

REF NO	PART NO	QTY	DESCRIPTION
1052	798631	1	SENSOR, Oil
188	798618	2	SCREW -(Control Bracket)
202	596301	1	LINK, Mechanical Governor
209	596302	1	SPRING, Governor
222	596303	1	BRACKET, Control
227	797231	1	LEVER, Governor Control
286	84004388	1	MODULE, Oil Sensor
347	596300	1	SWITCH, Rocker
562	797230	1	BOLT -(Governor Control Lever)
789	596305	1	HARNESS, Wiring

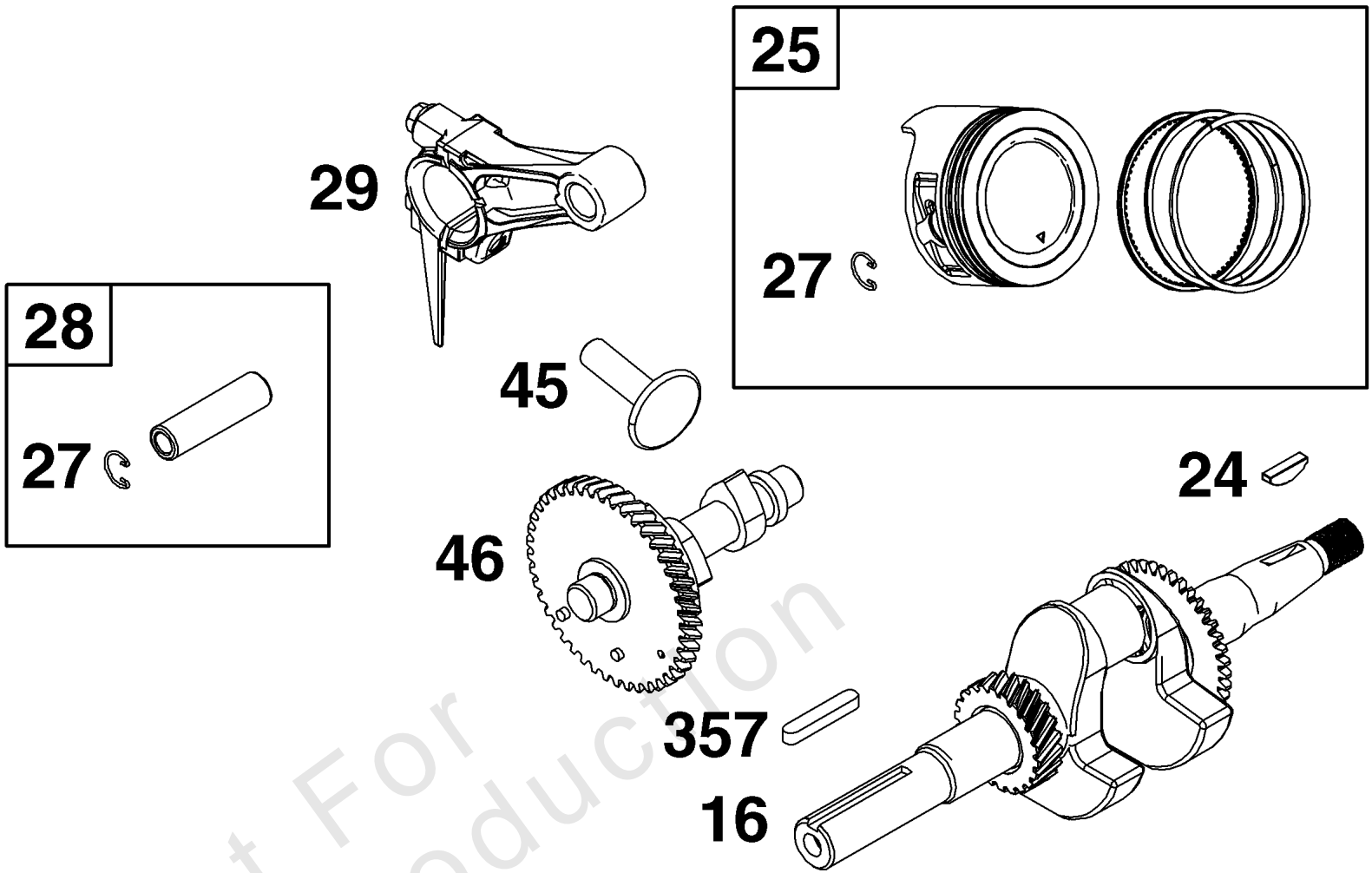
Not For Reproduction



## Crankcase Cover/Sump Group

REF NO	PART NO	QTY	DESCRIPTION
12	595695	1	GASKET, Crankcase
17	-----	1	BEARING, Ball -(Part information located in Cylinder Group.)
18	596289	1	COVER, Crankcase
20	595671	1	SEAL, Oil -(PTO Side)
22	84004645	6	SCREW -(Crankcase Cover/Sump)
718A	797326	2	PIN, Locating

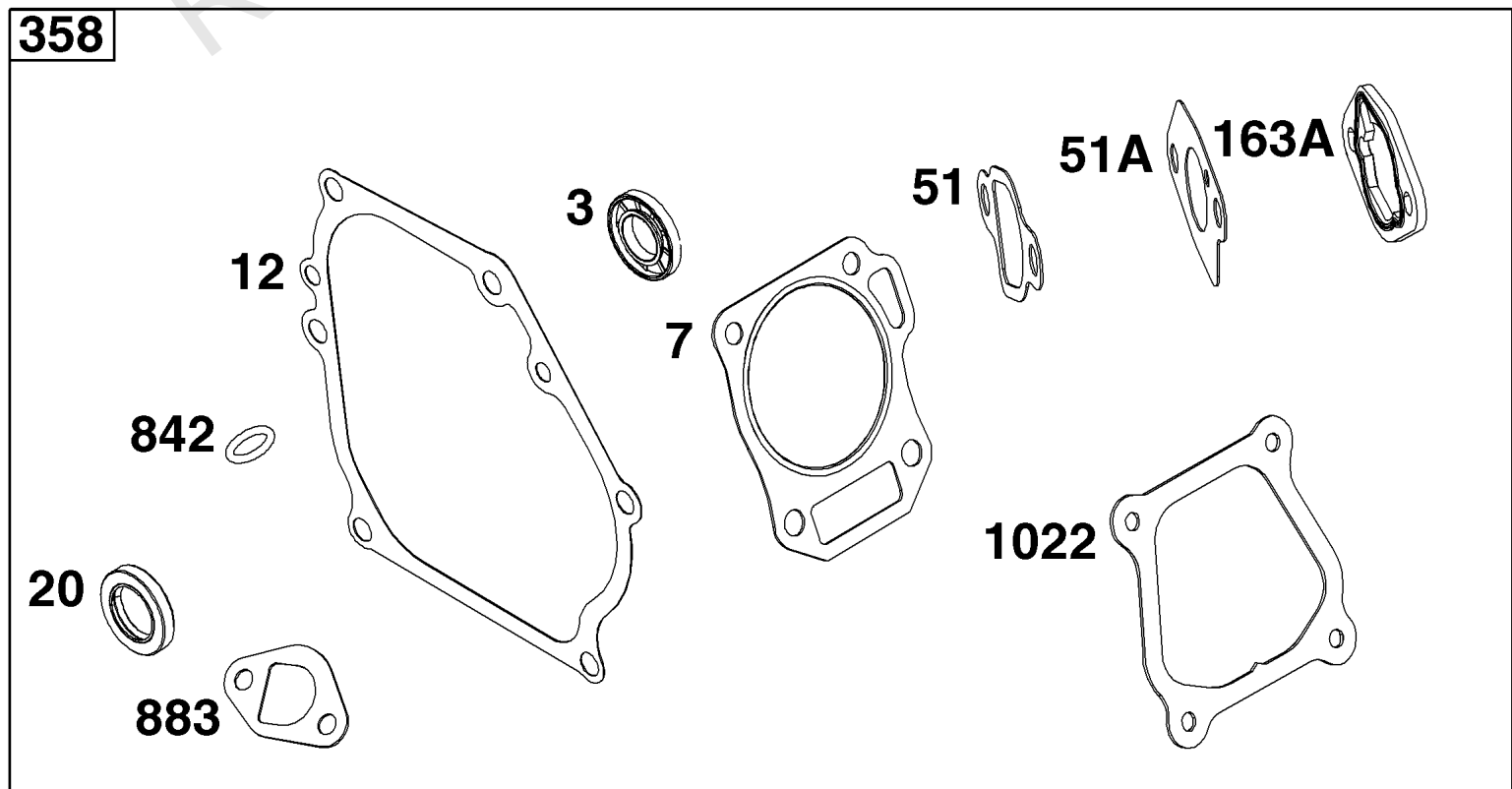
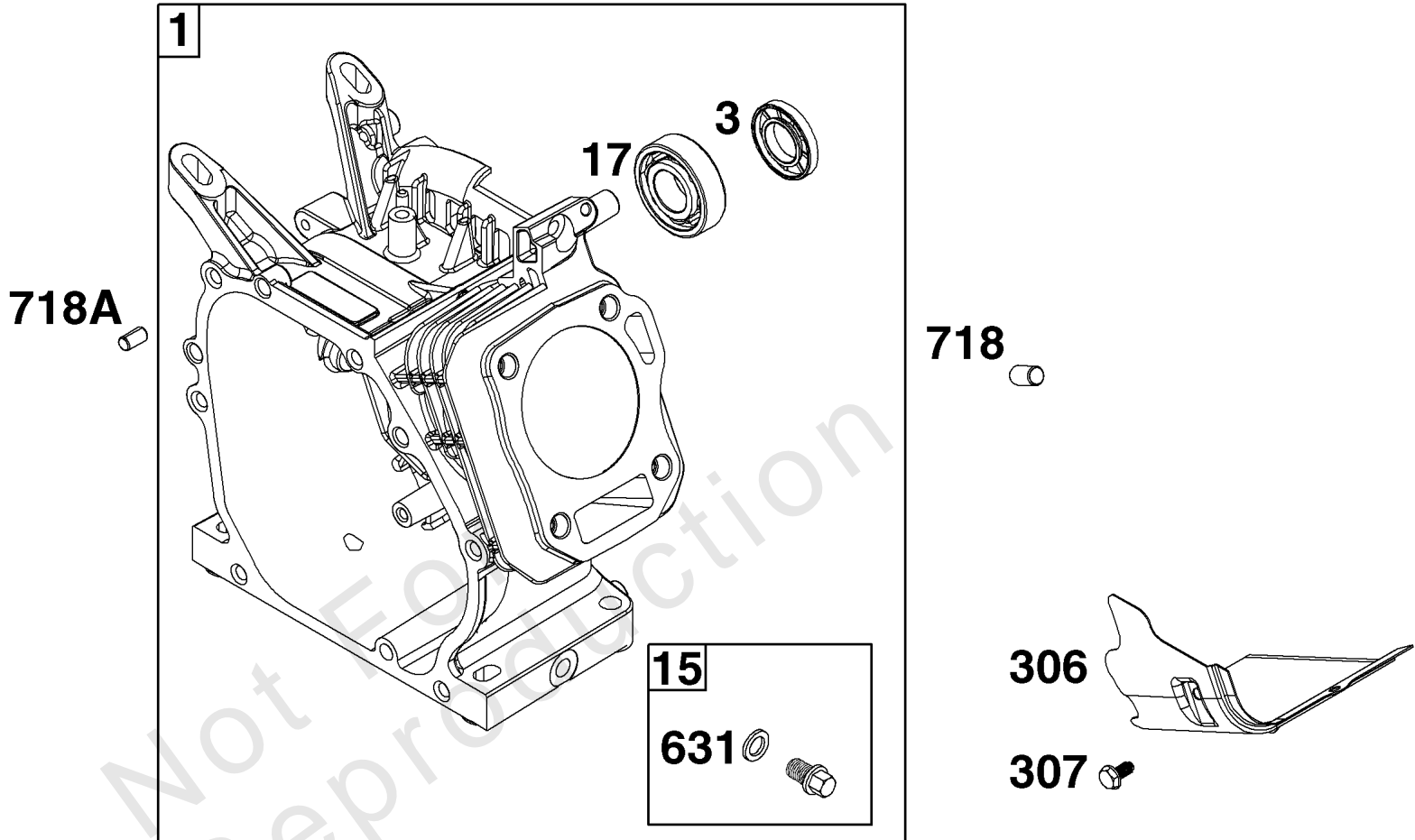
Not For Reproduction



## Crankshaft Group

REF NO	PART NO	QTY	DESCRIPTION
16	595590	1	CRANKSHAFT
24	797286	1	KEY, Flywheel
25	594235	1	PISTON ASSEMBLY
27	592044	2	LOCK, Piston Pin
28	596287	1	PIN, Piston
29	595714	1	ROD, Connecting
45	-----	2	TAPPET, Valve -(Part information located in Cylinder Head Group.)
46	596307	1	CAMSHAFT
357	798305	1	KEY, Drive Pulley

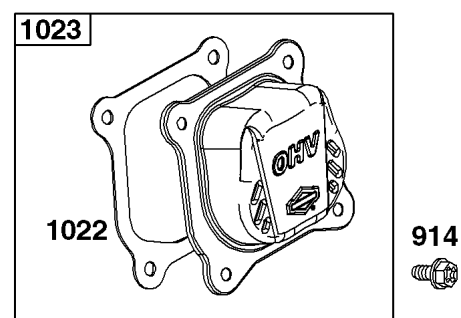
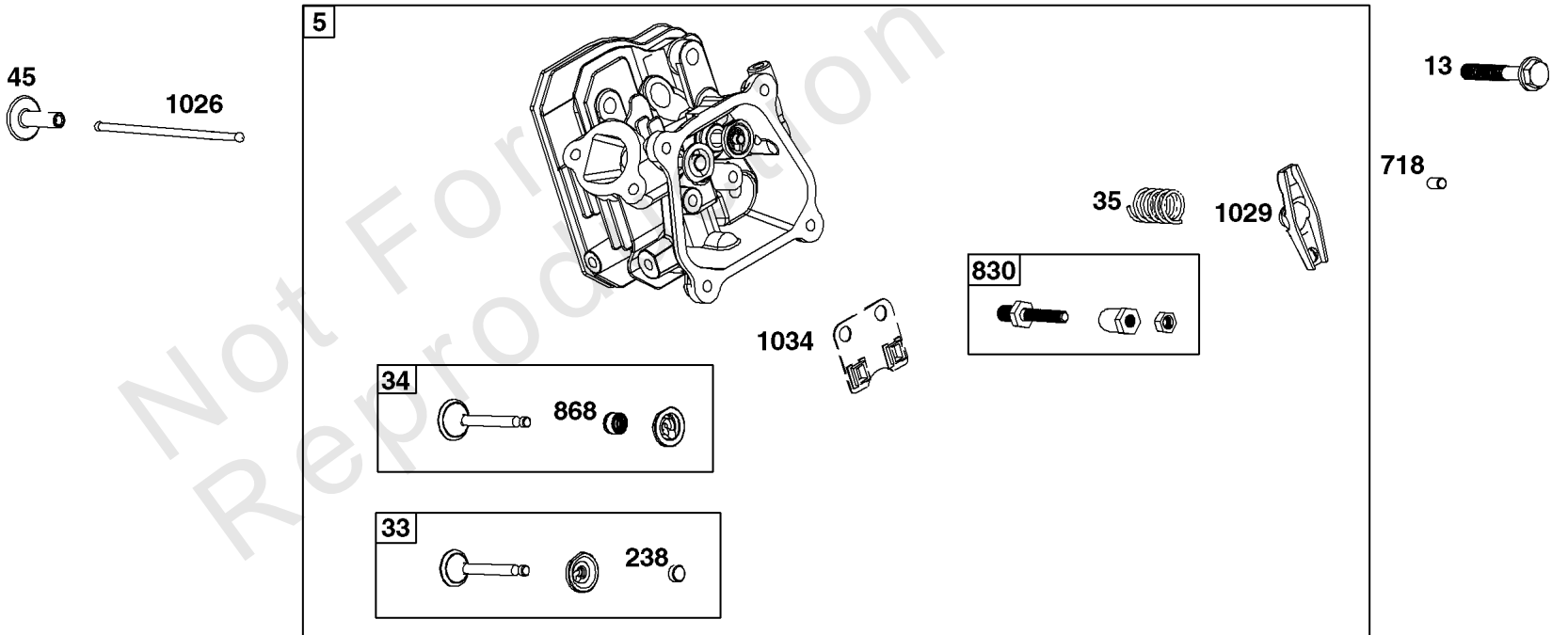
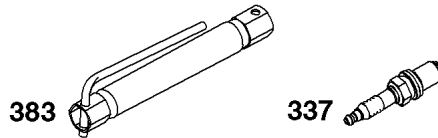
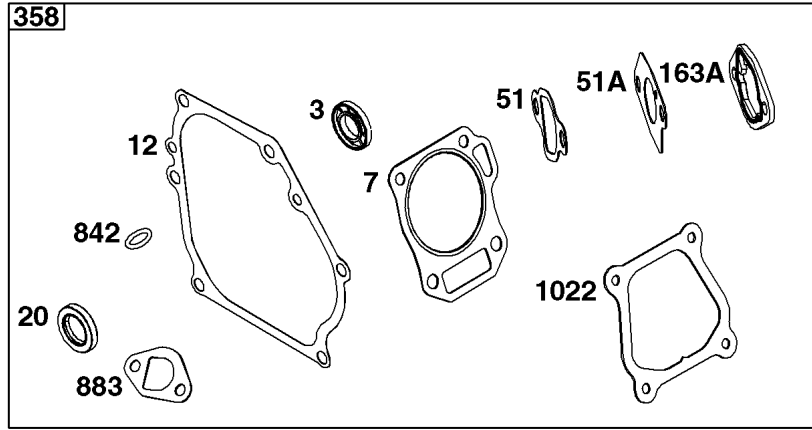
Not For Reproduction





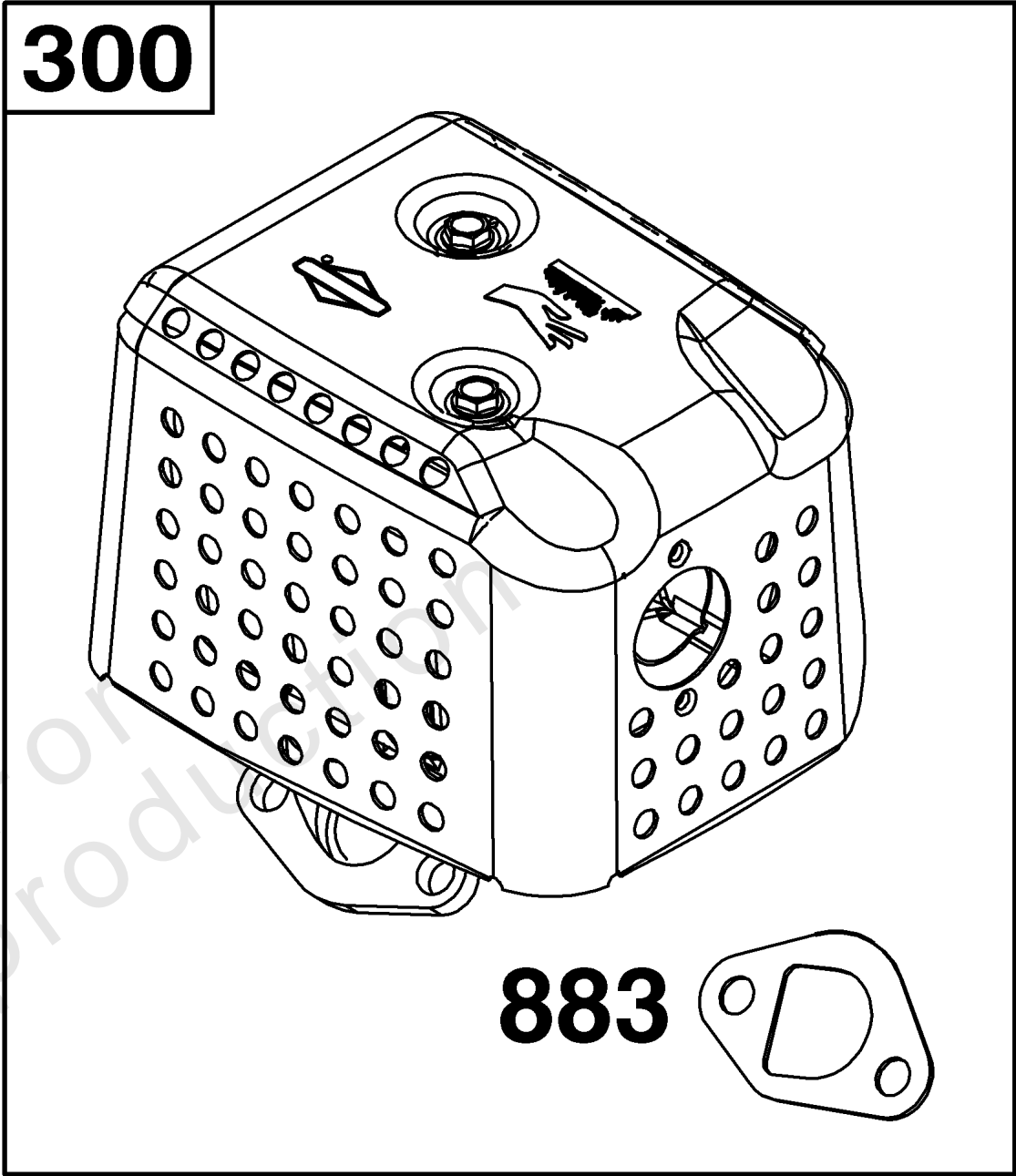
## Cylinder Group

REF NO	PART NO	QTY	DESCRIPTION
1	-----	1	CYLINDER ASSY
3	-----	1	SEAL, Oil -(Magneto Side)
7	-----	1	GASKET, Cylinder Head -(Part information located in Cylinder Head Group.)
12	-----	1	GASKET, Crankcase -(Part information located in Crankcase Cover/Sump Group.)
15	797215	2	PLUG, Oil Drain
17	596284	1	BEARING, Ball -(Cylinder)
20	590712	1	SEAL, Oil
51	-----	1	GASKET, Intake -(Part information located in Cylinder Head Group.)
51A	-----	1	GASKET, Intake -(Part information located in Cylinder Head Group.)
163A	-----	1	GASKET, Air Cleaner -(Part information located in Carburetor Group.)
306	596285	1	SHIELD, Cylinder
307	798618	2	SCREW
358	594272	1	GASKET SET, Engine -(Service Kits can include parts not for this engine.)
614	797229	1	PIN, Cotter
616	596282	1	CRANK, Governor
631	797216	1	WASHER -(Oil Drain Plug)
718	797214	2	PIN, Locating
718A	797326	2	PIN, Locating
842	-----	1	SEAL, O-Ring -(Part information located in Crankcase Cover/Sump Group.)
883	-----	1	GASKET, Exhaust
1022	-----	1	GASKET, Rocker Cover -(Part information located in Cylinder Head Group.)



## Cylinder Head Group

REF NO	PART NO	QTY	DESCRIPTION
3	596284	1	BEARING, Ball
5	-----	1	HEAD, Cylinder
7	595710	1	GASKET, Cylinder Head
12	-----	1	GASKET, Crankcase
13	84004646	4	SCREW -(Cylinder Head)
20	-----	1	SEAL, Oil
33	594237	1	VALVE, Exhaust
34	594236	1	VALVE, Intake
35	797203	2	SPRING, Valve
45	-----	2	TAPPET, Valve
51	595682	1	GASKET, Intake
51A	797280	1	GASKET, Intake
163A	-----	1	GASKET, Air Cleaner -(Part information located in Carburetor Group.)
238	797206	1	CAP, Valve
337	798615	1	PLUG, Spark
358	-----	1	GASKET SET, Engine
383	590721	1	WRENCH, Spark Plug
718	-----	2	PIN, Locating
830	595686	2	STUD, Rocker Arm
842	-----	1	SEAL, O-Ring
868	595679	2	SEAL, Valve
883	-----	1	GASKET, Exhaust
914	798618	4	SCREW -(Rocker Cover)
1022	84004342	1	GASKET, Rocker Cover
1023	797196	1	COVER, Rocker
1026	595677	2	ROD, Push
1029	595685	2	ARM, Rocker
1034	595684	1	PLATE, Cylinder Head



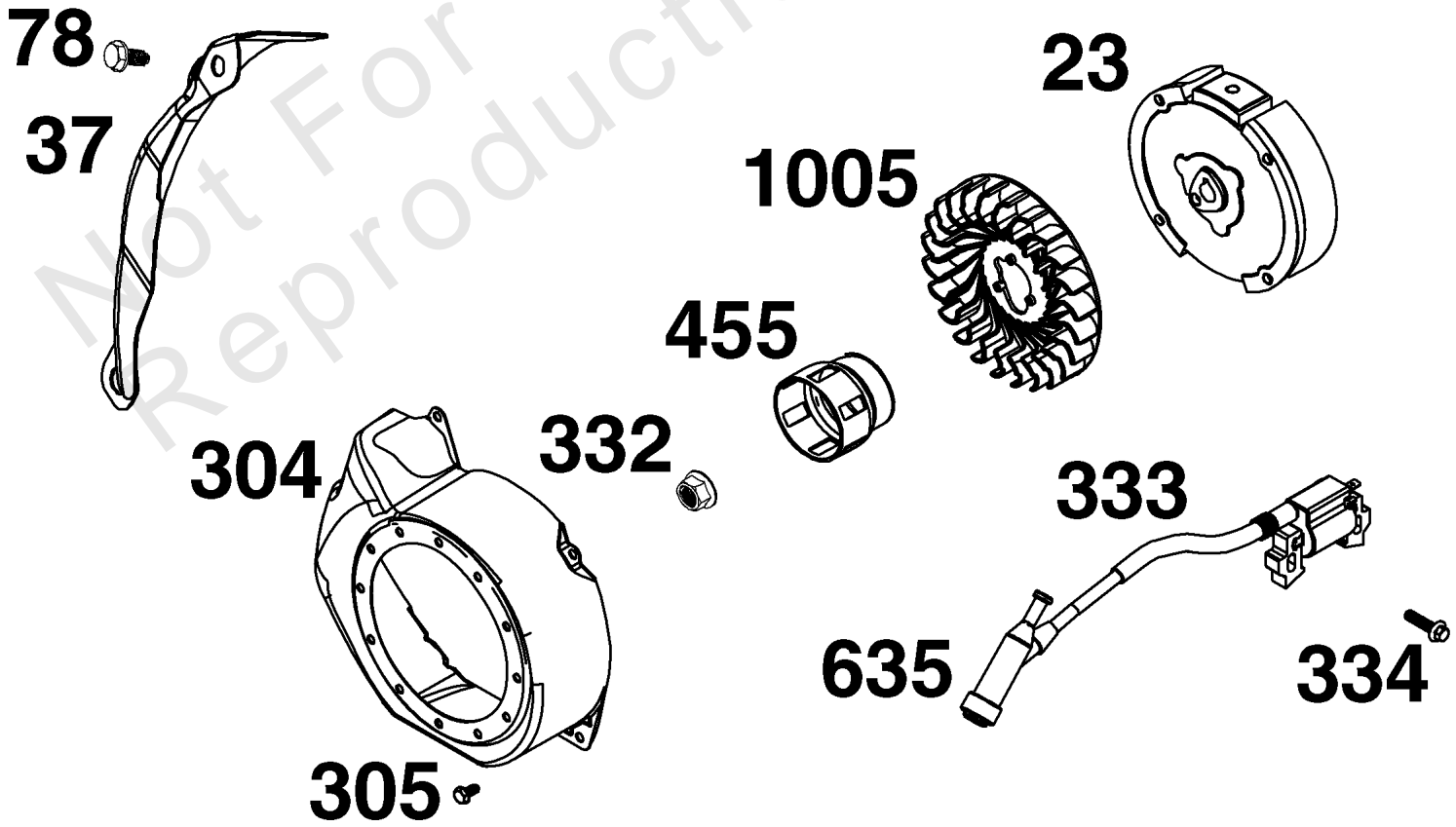
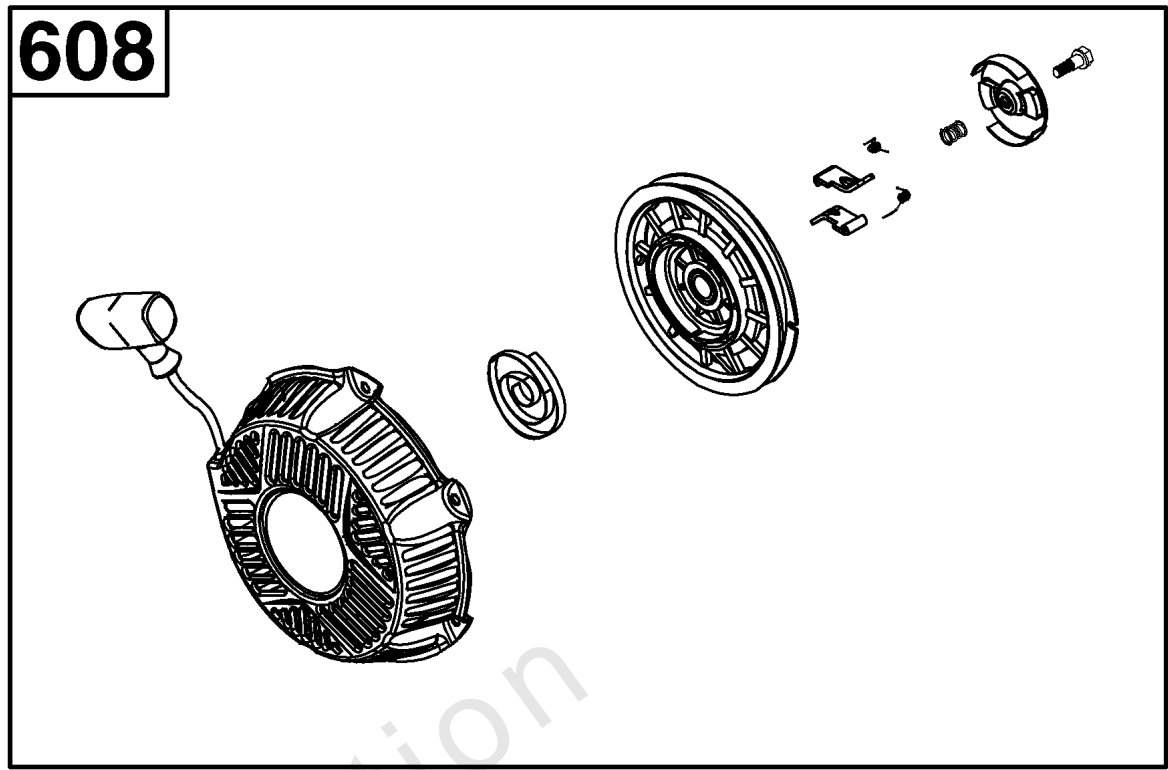
## *Exhaust Group*

---

REF NO	PART NO	QTY	DESCRIPTION
300	596331	1	MUFFLER
883	709664	1	GASKET, Muffler Adapter
1177	590965	2	NUT -(Muffler)

---

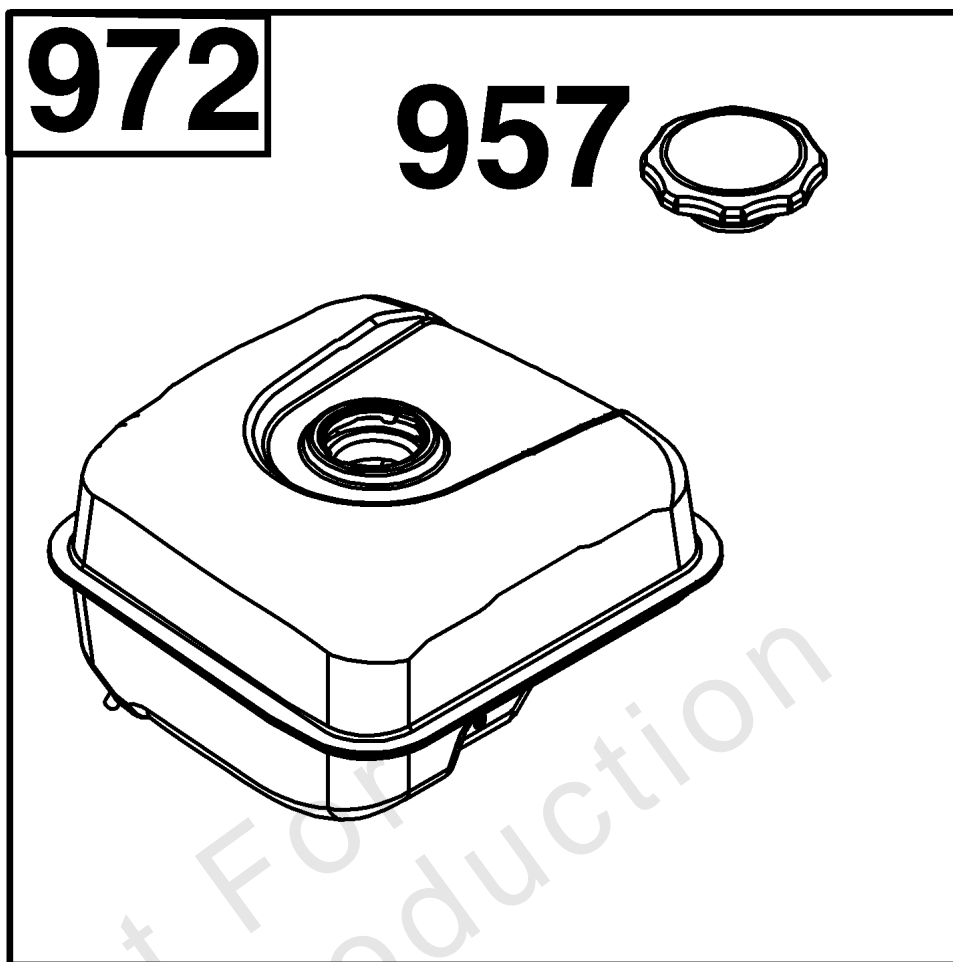
Not For Reproduction



## ***Flywheel, Ignition, and Starter Group***

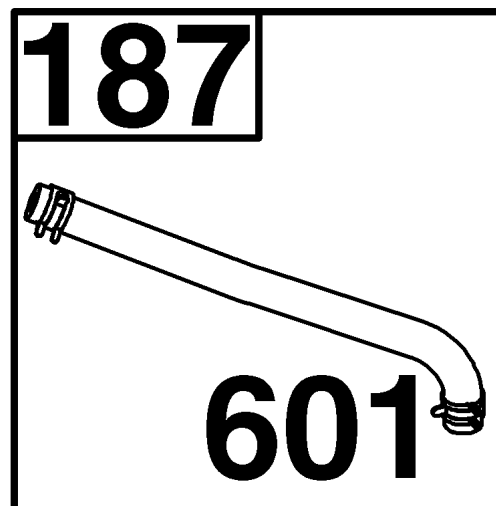
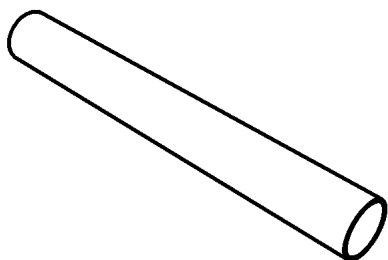
<b>REF NO</b>	<b>PART NO</b>	<b>QTY</b>	<b>DESCRIPTION</b>
23	596299	1	FLYWHEEL
37	596283	1	GUARD, Flywheel
65	797654	3	SCREW -(Rewind Starter)
78	798975	1	SCREW -(Flywheel Guard)
304	-----	1	HOUSING, Blower -(Part information located in Blower Housing Group.)
305	-----	3	SCREW -(Part information located in Blower Housing Group.)
332	797285	1	NUT -(Flywheel)
333	797343	1	ARMATURE, Magneto
334	797655	2	SCREW -(Magneto Armature)
455	596297	1	CUP, Flywheel
608	594136	1	STARTER, Rewind
635	797658	1	BOOT, Spark Plug
1005	596298	1	FAN, Flywheel

Not For Reproduction



705<sup>®</sup>

1357



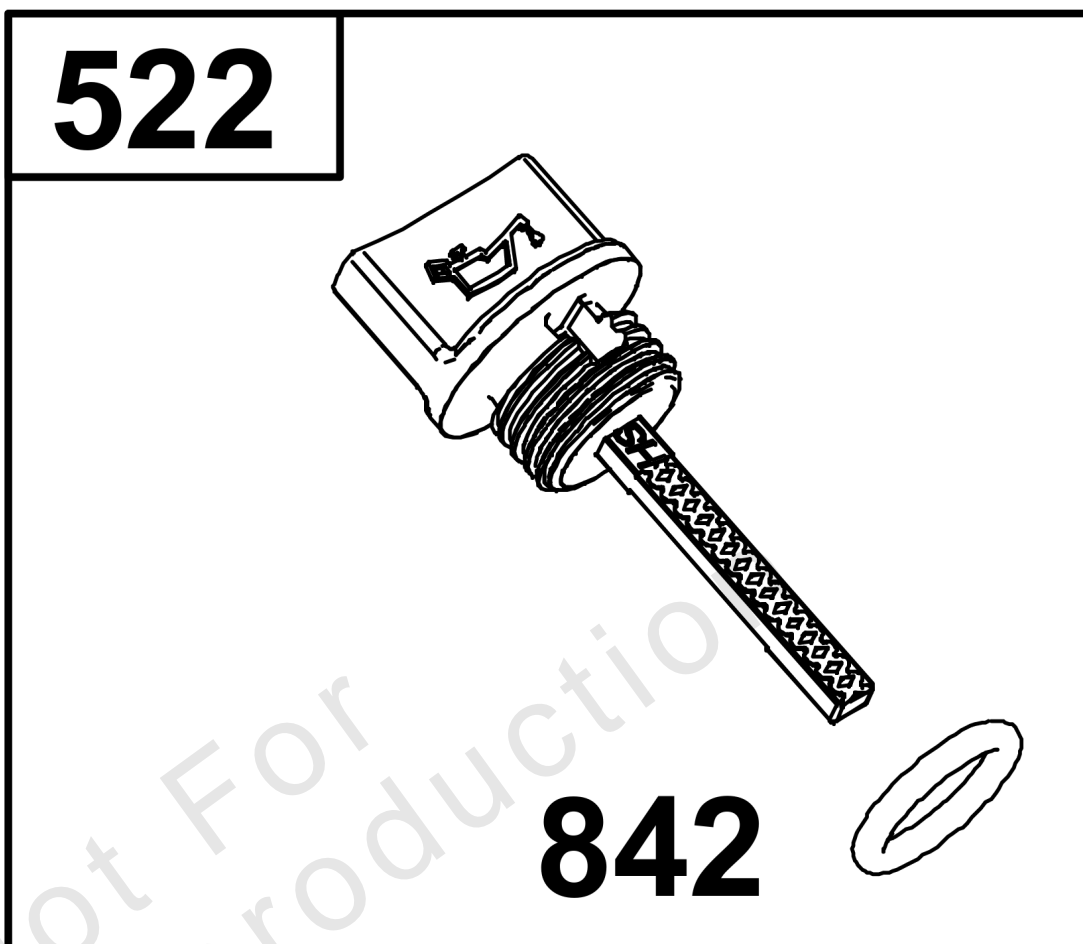


## *Fuel Supply Group*

---

REF NO	PART NO	QTY	DESCRIPTION
187	594142	1	LINE, Fuel
601	791850	2	CLAMP, Hose
705	690939	2	NUT -(Fuel Tank)
957	594135	1	CAP, Fuel Tank
972	594134	1	TANK, Fuel
1357	596098	1	SLEEVE, Fuel Line

Not For Reproduction



## Lubrication Group

REF NO	PART NO	QTY	DESCRIPTION
522	798503	1	PLUG, Dipstick/Fill
842	594143	1	PLUG-DIPSTICK/FILL -(Dipstick Cap)

Not For Reproduction

